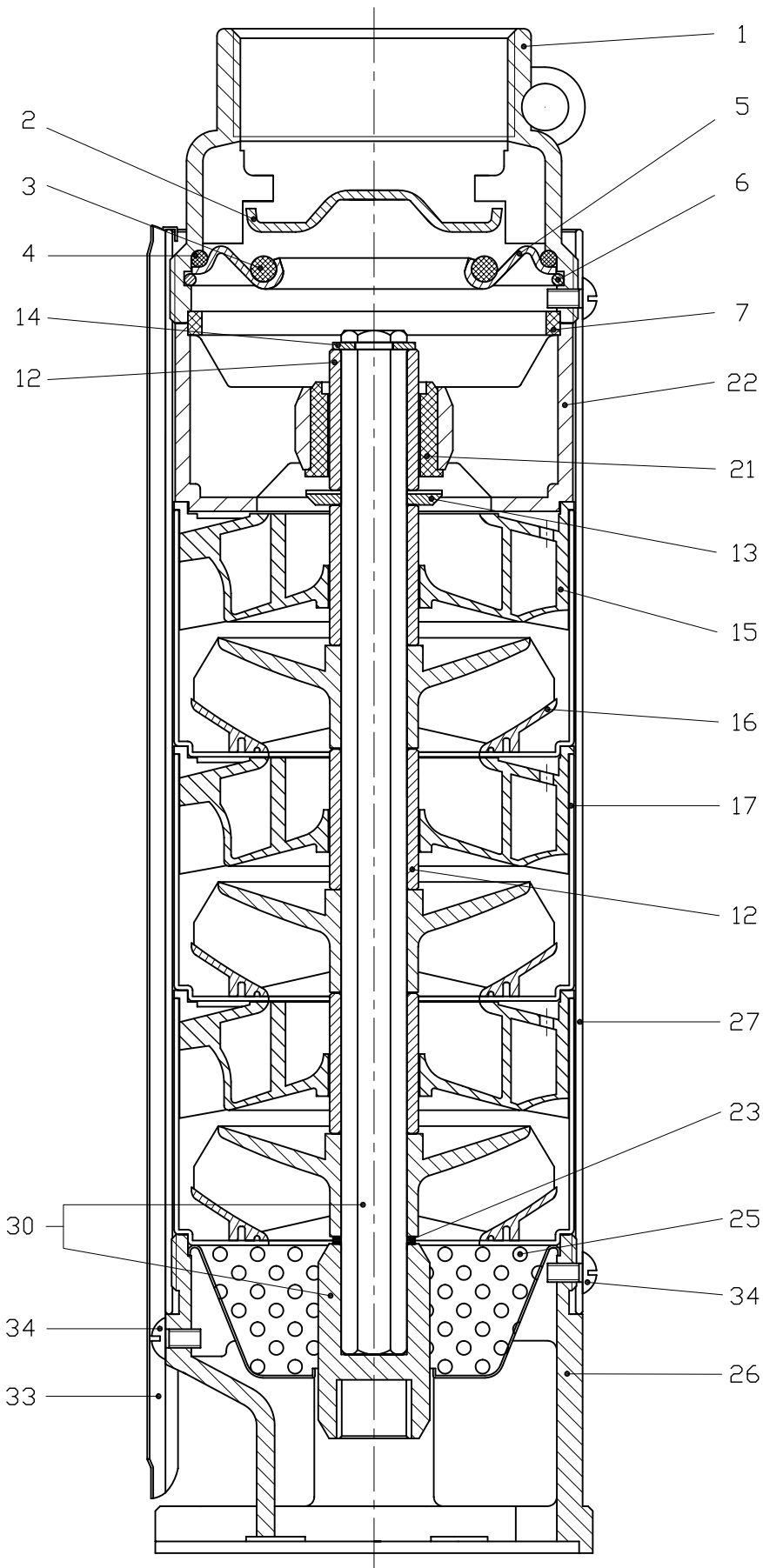


Sectional Drawing

ST-55 ST-60

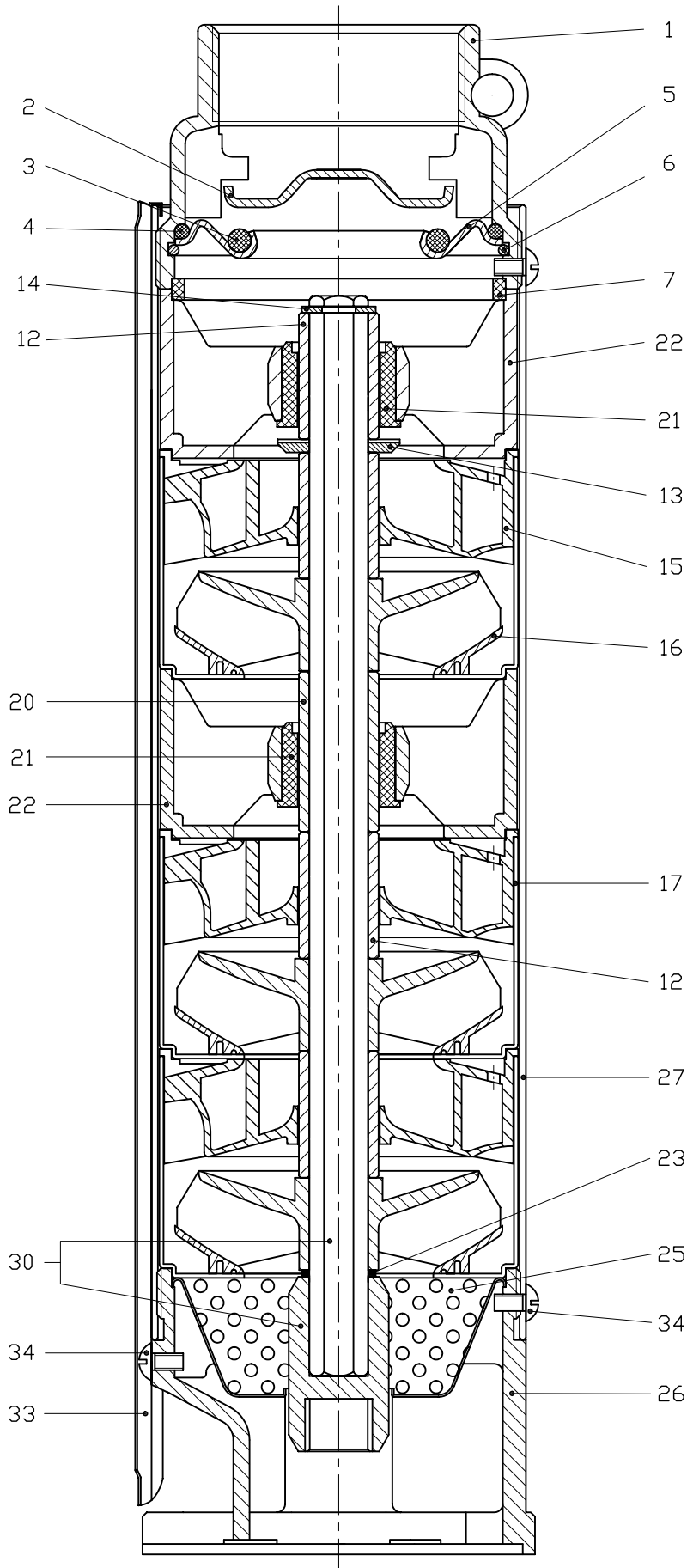


Description		Material
1	Discharge	SUS304
2	Check Valve Poppet	SUS304
3	C V. O-ring	NBR
4	C V. Seat O-ring	NBR
5	C V. Seat	SUS304
6	C V. Retaining Ring	SUS301
7	Adapter Ring	Glass / Polycarbonate
12	Upper Shaft Sleeve	SUS304
13	Upthrust Washer	SUS304
14	Shaft Retaining Ring	SUS301
15	Diffuser	Lexal
16	Impeller	Norel
17	Bowl	SUS304
21	Bearing	Urethane
22	Bearing Spider	Glass / Polycarbonate
23	Shim	SUS304
25	Strainer	SUS304
26	Motor Adapter	SUS304
27	Casing	SUS304
30	Pump Shaft / Coupling	SUS304
33	Cable Guard	SUS304
34	Screw	SUS304

Sectional Drawing

ST-55 ST-60

Current Models	
Type	Number of Stage
ST-55	18
ST-60	17,19

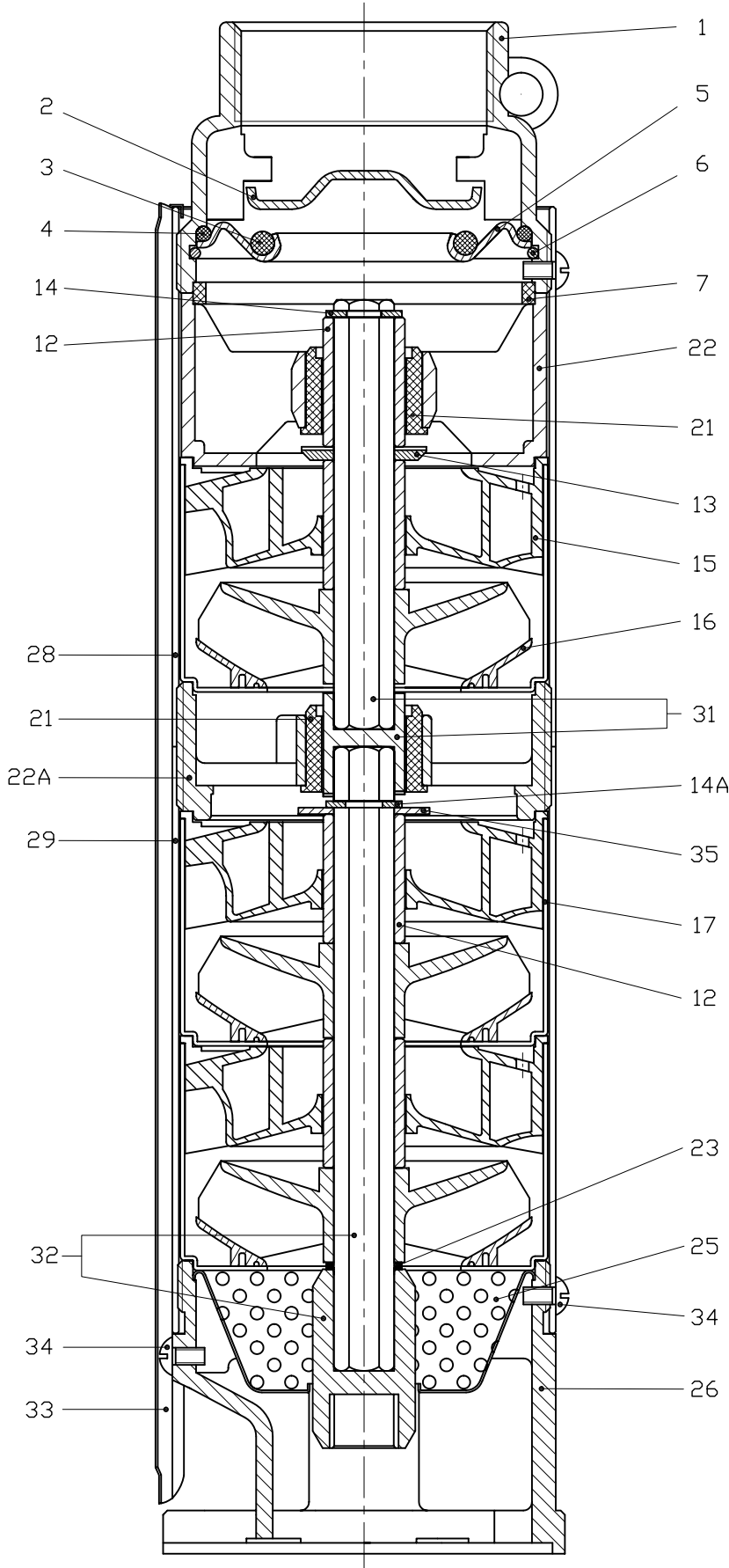


Description		Material
1	Discharge	SUS304
2	Check Valve Poppet	SUS304
3	C V. O-ring	NBR
4	C V. Seat O-ring	NBR
5	C V. Seat	SUS304
6	C V. Retaining Ring	SUS301
7	Adapter Ring	Glass / Polycarbonate
12	Upper Shaft Sleeve	SUS304
13	Upthrust Washer	SUS304
14	Shaft Retaining Ring	SUS301
15	Diffuser	Lexal
16	Impeller	Norel
17	Bowl	SUS304
20	Intermediate Shaft Sleeve	SUS304
21	Bearing	Urethane
22	Bearing Spider	Glass / Polycarbonate
23	Shim	SUS304
25	Strainer	SUS304
26	Motor Adapter	SUS304
27	Casing	SUS304
30	Pump Shaft / Coupling	SUS304
33	Cable Guard	SUS304
34	Screw	SUS304

Sectional Drawing

ST-55 ST-60

Current Models	
Type	Number of Stage
ST-55	22, 24, 29, 32
ST-60	26



Description		Material
1	Discharge	SUS304
2	Check Valve Poppet	SUS304
3	C V. O-ring	NBR
4	C V. Seat O-ring	NBR
5	C V. Seat	SUS304
6	C V. Retaining Ring	SUS301
7	Adapter Ring	Glass / Polycarbonate
12	Upper Shaft Sleeve	SUS304
13	Upthrust Washer	SUS304
14	Shaft Retaining Ring	SUS301
14A	Lower Shaft Retaining Ring	SUS301
15	Diffuser	Lexal
16	Impeller	Norel
17	Bowl	SUS304
21	Bearing	Urethane
22	Bearing Spider	Glass / Polycarbonate
22A	Intermediate Bearing Spider	SUS304
23	Shim	SUS304
25	Strainer	SUS304
26	Motor Adapter	SUS304
28	Upper Casing	SUS304
29	Lower Casing	SUS304
31	Upper Pump Shaft / Coupling	SUS304
32	Lower Pump Shaft / Coupling	SUS304
33	Cable Guard	SUS304
34	Screw	SUS304
35	Intermediate Upthrust Washer	SUS304